

# Digital Temperature Controllers

E5□C Series

The Leading Temperature Controllers in the Control Panel Evolution



- Greater downsizing and higher performance in control panels and other equipment
- Greater efficiency from designing to assembly and operation
- Innovating control panel and equipment usability

# New Value For Control Panels

Control Panels: The Heart of Manufacturing Sites.

Evolution in control panels results in large evolution in production facilities.

And if control panel design, control panel manufacturing processes, and human interaction with them are innovated, control panel manufacturing becomes simpler and takes a leap forward.

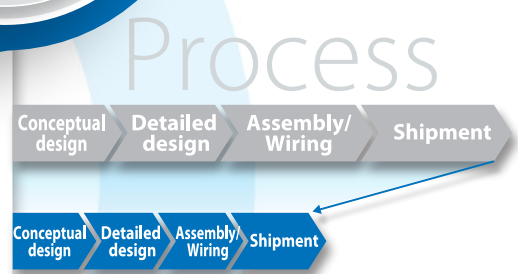
OMRON will continue to achieve a control panel evolution and process innovation through many undertakings starting with the shared Value Design for Panel \*1 concept for the specifications of products used in control panels.

### \*1 Value Design for Panel



Our shared Value Design for Panel (herein after referred to as "Value Design") concept for the specifications of products used in control panels will create new value to our customer's control panels.

Combining multiple products that share the Value Design concept will further increase the value provided to control panels.



Panels

Process

People





# The Leading Temperature Controllers in the Control Panel Evolution



## Greater downsizing and higher performance in control panels and other equipment

- A wide range of lineup to handle various control panel/equipment sizes.
- Advanced control performance to help increase equipment speed and yield.

## Greater efficiency from designing to assembly and operations

- Saves your work in each process from designing to operation of control panels and other equipment.

## Innovating control panel and equipment usability

- Wide viewing angle and high-contrast LCD for high visibility.
- Reduces the workload of entering set values on-site.

Certified for main safety standards.



\*CSA conformance evaluation by UL.

# A wide range of lineup to handle various

## Save Space with a Compact Body That's Only 60 mm in Depth

A short body that's 77% of our previous model has been achieved. This makes the Controller applicable in tight spaces with limited depth.



## Help Reduce Panel Space

Even with the 48 × 24 size, OMRON has achieved a PV display character height of over 10 mm and dual displays for the present value and set point. This enables compact panels that are easy to read.



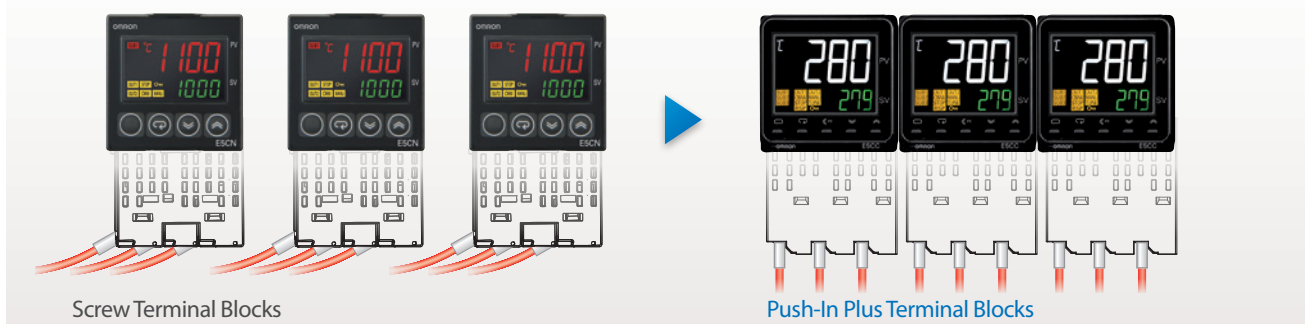
## Equal Operability as On-panel Controllers Plus Space-saving Layouts inside Control Panels

The unified operability of the E5□C Series in a DIN Track-mounting Controller that is 22.5 mm wide. You can achieve space-saving layouts in control panels.



## Push-In Plus technology Enables Horizontal Group Mounting Easily

With Push-In Plus technology, wiring is performed from the back, which facilitates using horizontal group mounting, to achieve compact panel surfaces.



# control panel/equipment sizes

## Space-saving 22.5 mm Wide Design Saves Reduce wiring work

The lineup has been expanded to include the 22.5 mm wide in-panel E5DC model with Push-In Plus Terminal Block.

This model is not only space-saving for easy installation in control panel but also reduces wiring work.



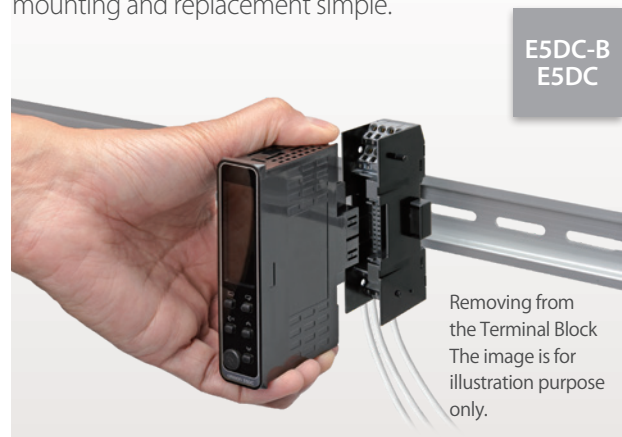
## Reduce Crossover Wiring with Horizontal Connection Structure

Simply connect the device to enable power line and communication cable, reducing the amount of wiring work required. (Maximum connectable units: 16 devices)



## Removable Terminal Block for Easy Mounting and Replacement

The removable terminal block means wiring does not need to be removed during maintenance, making mounting and replacement simple.



\*Hooks must be pressed to remove from the terminal block.

# Greater efficiency from designing to assembly and operation

**Design**

### Programless Communications Eliminates the Time to Create Communications Program with the PLC.

- In addition to communications with PLCs, you can share target temperatures and copy parameter settings with other E5□C series Controllers.

**Assembly and Wiring**

### Push-In Plus technology for Easy Wiring

Just Insert Wires: No Tools Required  
Now you can use Push-In Plus technology to reduce the time and work involved in wiring.

Greatly Reduce Wiring Work with Push-In Plus technology

**Easy to Insert**  
OMRON's Push-In Plus terminal blocks are as easy as inserting to an earphone jack. They help reduce the work load and improve wiring quality.

**Held Firmly in Place**  
Even though less insertion force is required, the wires are held firmly in place. The advanced mechanism design technology and manufacturing technology produced a spring that ensures better workability and reliability.

IEC standard (cable diameter)	Push-In Plus terminal block	Screw terminal block
20 N min. (AWG20,0.5 mm <sup>2</sup> )	<b>125 N</b>	112 N

**No Retightening Required**  
Tightening screws is necessary for screw terminal blocks, but with Push-In Plus terminal blocks, there is no need for retightening.

**Temperature Sensors**  
Temperature Sensors with Ferrules are also available to help reduce the time and work involved in wiring.

**E5CC-B  
E5EC-B  
E5DC-B**

**Setup, Adjustment, and Operation**

### CX-Thermo Special Setup Software (Sold Separately) Effectively Reduces Work from Setup to Adjustment and Operation.

You can perform the following operations with the CX-Thermo.

- Setting and saving parameters
- Logging, browsing, and exporting data
- Printing parameter lists, and more

Also, power is supplied through the Bus Power, so you do not have to wire the power supply to set parameters.

\*USB-Serial Conversion Cable (Sold Separately)



# Innovating control panel and equipment usability

## Easy Display Confirmation On-site.

Big white characters on a black background achieve superior visibility. Operator movement distances are minimized to help increase work efficiency.



High-contrast displays enable easier confirmation regardless of ambient lighting conditions.



A wide viewing angle was achieved with the LCDs to enable easy confirmation of the PV.

## Reduces the workload of entering set values on-site.

Functions are provided to reduce work in operating and changing settings for the Controllers.

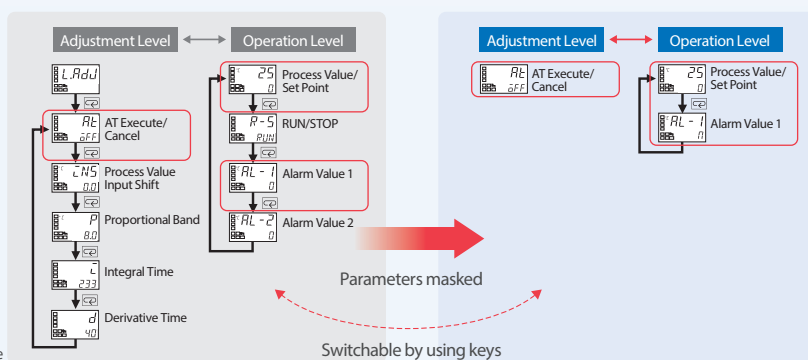
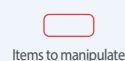
Just press the shift key (<<PF) to move the digit. This simplifies numeric entry at worksite.



Just press the shift key to move the digit.

## CX-Thermo Functions

Use parameter masks to display only the required parameters. The time required to change settings, such as for changeovers, is greatly reduced.



# Product Lineup

Terminal type	Size	48 × 24 mm	48 × 48 mm	48 × 96mm	96 × 96mm	DIN 22.5-mm width
Push-In Plus terminal block			<b>E5CC-B</b> 	<b>E5EC-B</b> 		<b>NEW E5DC-B</b> 
Screw terminal block		<b>E5GC*</b> 	<b>E5CC</b> 	<b>E5EC</b> 	<b>E5AC</b> 	<b>E5DC</b> 
Plug-in models			<b>E5CC-U</b> 			

\*Screwless clamp terminal blocks also available.  
 Refer to the E5□C Series Datasheet (Cat. No. H177) for details.

Before you place an order, please read and understand "Agreement for Using the Product" available on Omron's latest "Best control devices Omron", "General Brochure" or Omron's website.

**OMRON Corporation Industrial Automation Company**  
 Kyoto, JAPAN

Contact: [www.ia.omron.com](http://www.ia.omron.com)

**Regional Headquarters**

**OMRON EUROPE B.V.**  
 Wegalaan 67-69, 2132 JD Hoofddorp  
 The Netherlands  
 Tel: (31)2356-81-300/Fax: (31)2356-81-388

**OMRON ELECTRONICS LLC**  
 2895 Greenspoint Parkway, Suite 200  
 Hoffman Estates, IL 60169 U.S.A.  
 Tel: (1) 847-843-7900/Fax: (1) 847-843-7787

**OMRON ASIA PACIFIC PTE. LTD.**  
 No. 438A Alexandra Road # 05-05/08 (Lobby 2),  
 Alexandra Technopark,  
 Singapore 119967  
 Tel: (65) 6835-3011/Fax: (65) 6835-2711

**OMRON (CHINA) CO., LTD.**  
 Room 2211, Bank of China Tower,  
 200 Yin Cheng Zhong Road,  
 PuDong New Area, Shanghai, 200120, China  
 Tel: (86) 21-5037-2222/Fax: (86) 21-5037-2200

**Authorized Distributor:**

© OMRON Corporation 2016-2019 All Rights Reserved.  
 In the interest of product improvement,  
 specifications are subject to change without notice.

CSM\_2\_1\_0319  
 Cat. No. H220-E1-03

0319(0316)